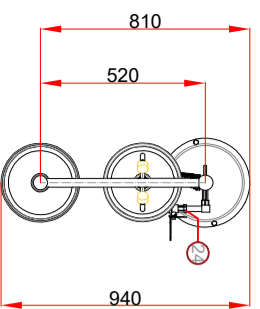
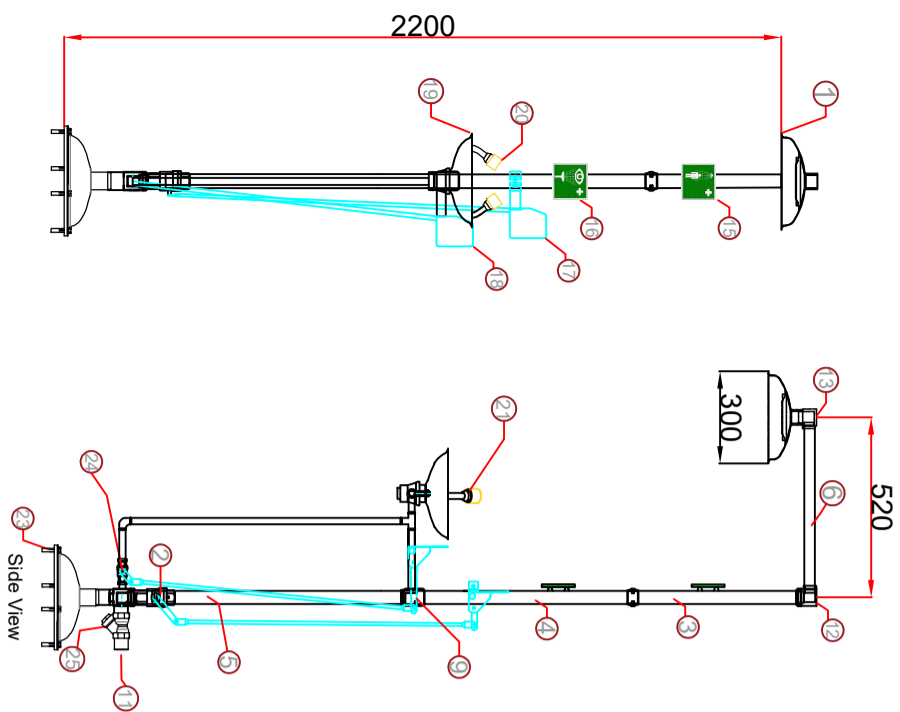
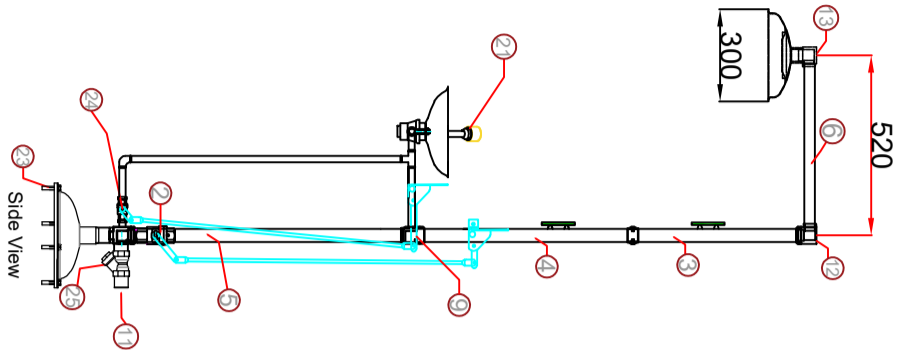


# 15031000-SD-316 Technical Drawings

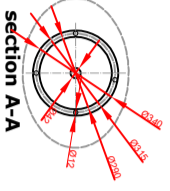
DOCUMENT NO	TC.02.002
REVISION NO	00
REVISION DATE	--
RELEASE DATE	30.06.2021



Top View



Side View



Floor Flange

NOT: The Emergency shower is mounted on the floor with 4 M10x45 hole in bolts and dowels.  
 Bolts and dowels will be sent with the product.  
 - 4 piece hole in anchor bolts  
 - 4 piece dowels

NO.	DESCRIPTION	MATERIAL
25	1" Filter	316 STAINLESS STEEL
24	1/2" Ball Valve for eyeface wash	316 STAINLESS STEEL
23	M10x45 Hole in Bolt(4 piece)	316 STAINLESS STEEL
21	Spray Nozzles	Brass
20	Dust Cover on Eyewash Spray	Plastic
19	Eyewash Bowl	316 STAINLESS STEEL
18	Push Handle Control for Eyewash	316 STAINLESS STEEL
17	Push Handle Control for Shower	316 STAINLESS STEEL
16	Eyeface wash sign	Phosphorus
15	Emergency shower sign	Phosphorus
13	Shower Head Fitting	316 STAINLESS STEEL
12	Top Corner Fitting	316 STAINLESS STEEL
11	1" Water Inlet	316 STAINLESS STEEL
10	Middle connection	316 STAINLESS STEEL
9	Main Connection fitting	316 STAINLESS STEEL
6	1" 500 mm pipe	316 STAINLESS STEEL
5	1 1/4" 740 mm pipe	316 STAINLESS STEEL
4	1 1/4" 590 mm pipe	316 STAINLESS STEEL
3	1 1/4" 660 mm pipe	316 STAINLESS STEEL
2	1" Ball Valve	316 STAINLESS STEEL
1	Shower head Bowl (Ø300mm)	316 STAINLESS STEEL

Standards: EN 15154-1-2  
 ANSI/ISEA Z358.1-2014  
 Water Flow: 75,7 lt / min for Shower  
 11,4 lt / min for eyeface wash  
 Total Weight: 21,6 kgs  
 Packed Dimensions: 35x83x21 cm

Static test pressure : 7 bar  
 Min using pressure : 1,4 bar  
 Max using pressure : 2,8 bar

**IST**

FOR INFORMATION FOR REVIEW FOR APPROVAL

FOR RFD/DESIGN

DESIGNER: SS FA ST

DESIGNED BY: SS

APPROVED BY: SS

SIZE: A4

SCALE: 1/100

PRODUCT: ISTEC TYPE ESW EMERGENCY SHOWER AND EYEFACE WASH SELF DRAINING SYSTEM

DRAWING NUMBER/DATE: 420/16-1

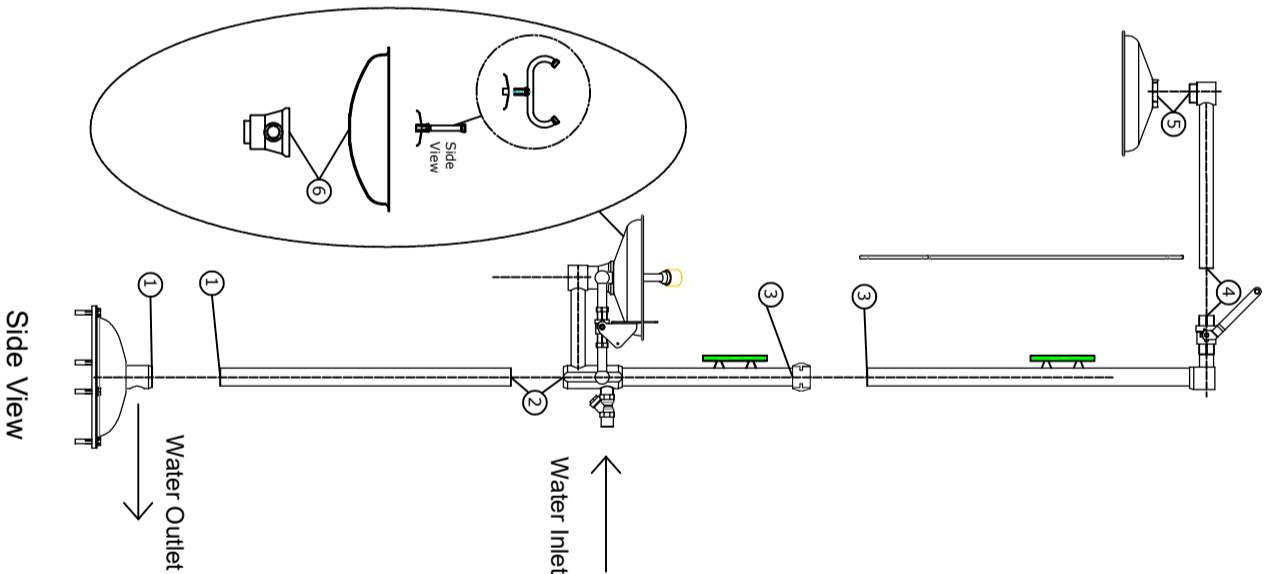
SHEET: 1

DRAWING NAME: 15031000-SD-316

CE 1783

UL LISTED

ANSI



Side View

- 1) Screw number 1 pieces together. (1-1)
- 2) Screw number 2 pieces together. (2-2)
- 3) Screw number 3 pieces together. (3-3)
- 4) Screw number 4 pieces together. (4-4)
- 5) Screw number 5 pieces together. (5-5)
- 6) Eyewash dish screwed to low and (6-6), eyewash screwed on the middle of the eyewash dish and connected completely. Spray nozzles must be to run parallel with person who see in front of shower.
- 7) Please use impermeability teflon bands at pipe connection points
- 8) The shower which is finished assembly is connected pedestal by 4 holes that are on pedestal connecting part. For the connecting could use M10x45 hole in anchor bolt steel plugs.
- 9) The shower can directly connected to water network by 1" water inlet.
- 10) You can drain the waste water by connecting a suitable 1" diameter pipe or hose to the waste water outlet.

PREPARED

Çağkan TOPCU

APPROVED

Serdar TÜRKÜÇAR